



Product Range



Driving Performance in Yacht Systems



Hydraulic Powerpacks 24 - 700 VDC | Up to 400kW

24V DC

48V DC

72V DC

400V DC

700V DC

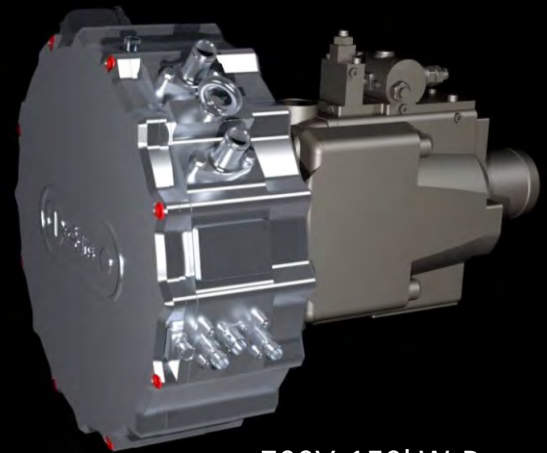
- High performance power dense package
- Energy efficient - up to 94%
- Dynamic speed control
- Active cooling
- Suitable for large yacht applications
- Custom lightweight reservoir design
- Superior power to weight ratio



48V 40kW Twin Powerpack



Combi 400V 75kW + Backup 24V 10kW



700V 150kW Powerpack

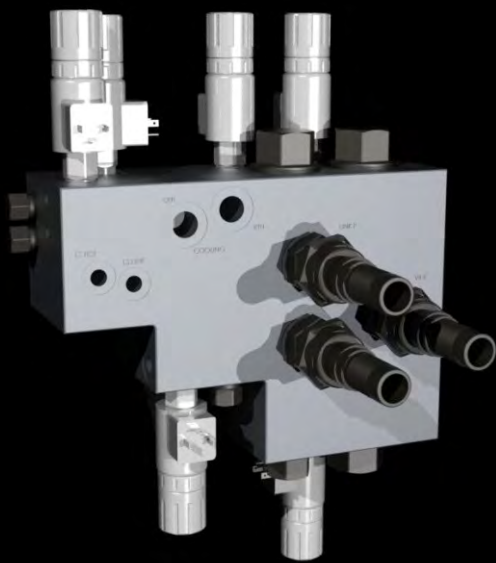
Standard Sets

- 24V DC — 10kW —> 40kW
- 48V DC — 20kW —> 80kW
- 72V DC — 40kW —> 160kW
- 400V DC — 100kW —> 200kW
- 700V DC — 200kW —> 400kW

Hydraulic Manifolds

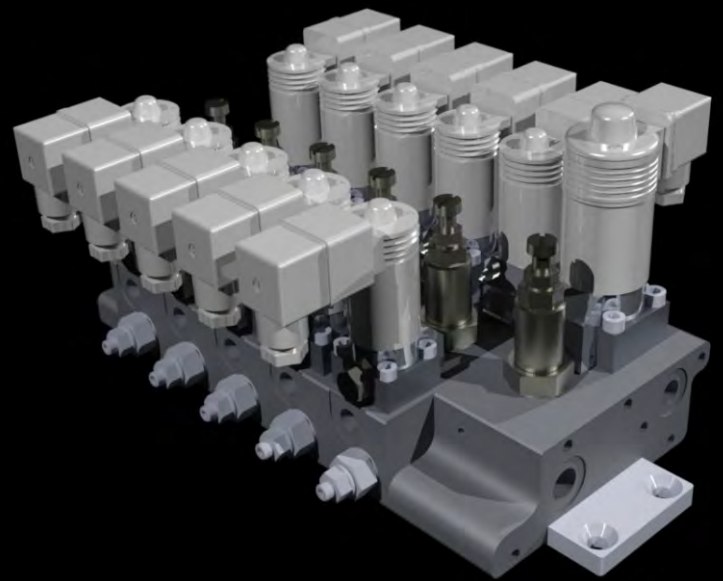
Valve Manifolds

- Pressures up to 350 bar
- Modular valve design
- Keel control systems
- Tender doors
- Lifting platforms
- Tailored solutions for hydraulic functions



High Pressure Systems

- 350 - 700 bar applications
- Compact design
- Cylinder rig tensioning
- Marinised design
- Integrated intensifier for low pressure systems



Hydraulic Cylinders

- Carbon · Titanium
Stainless Steel · Aluminium
- Custom designs
- Innovative solutions
- Hidden porting
- Pressures up to 700 bar
- Cylinders for all applications



PTO Gearbox

Sandwich PTO I/O

- Output 1.25 reduction ratio
- 150kW In / Out
- Custom designed interface
- Compact
- High power to weight ratio
- Suitable for 120 - 400kW engines

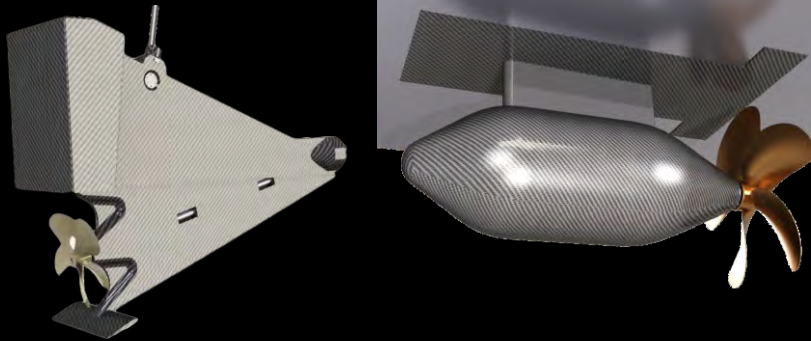
Sandwich PTO V-Twin I/O

- Hydraulic drive
- E-drive
- Hybrid solution
- 300kW In / Out
- Double In / Out functions



Retractable Drives

- Electric · Hydraulic · Direct Drive
- Suitable for yachts up to 45m
- Complete driveline solutions
- Proven design
- Tailored package



Halyard Sense

Performance race yacht focussed, the Halyard Sense System ensures controlled hoisting of jibs and spinnakers to prevent damage to locks and sheaves due to high line speed demands of todays professional race crews.

